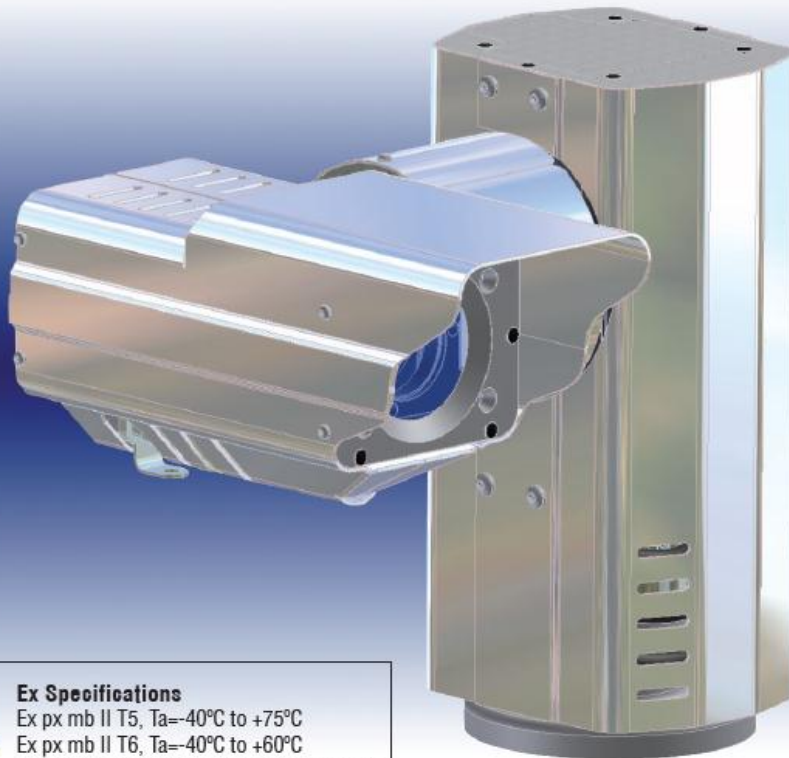


Product DATA

Data sheet no DS0506900 EN
2010 • R2-3



Ex Specifications

Ex px mb II T5, Ta=-40°C to +75°C
Ex px mb II T6, Ta=-40°C to +60°C
Ex tD mbD A21 IP68 T5 Ta=-40°C to +75°C
Ex tD mbD A21 IP68 T6 Ta=-40°C to +60°C

Camera PTZ Serial Ex Stainless steel

Technical Specifications

Camera PTZ Serial Ex Stainless steel

POTENTIALLY HAZARDOUS EXPLOSIVE ATMOSPHERES

Article number 010.050.003407

General

Pan & Tilt unit including camera. The PTZ unit functions via two stepping motors. These stepping motors are controlled by the integrated controller. Commands for the PTZ unit are sent via, amongst other things, the Display 7" RLCD Serial (with software version 2.10), 10" monitor. Weather-, shock-, vibration-, corrosion- and explosion proof ATEX certificated colour camera; see Ex specifications.

Camera

CCD sensor 1/4" type IT CCD (EX view HAD CCD).
Picture elements 752 (H) x 582 (V) (ca. 440 000 pixels)
Resolution 460 TVL (Wide end).
Lens f = 4,1 mm (wide) to 73,8 mm (tele). 216 x zoom ratio; 18 x optical zoom, 12 x digital
Lens speed from wide optical to tele (optical) 2,1 sec. (f=1,4 to f=3,0 zoom movement speed)
Angle of view (H) 48° (wide) to 2,8° (minimum object distance)
Min. working distance 290mm (wide end), 800 mm (tele end).
Min. illumination 0,7 Lux (f1,4 1/50 sec. PAL) 0,1 Lux (f1,4 1/3 sec. PAL).
S/N ratio 50 dB or more.
TV system PAL, CVBS, 625 lines interlaced, 50 Hz, 4,43 MHz colour subcarrier 1 Vtt (75 ohm).
Power consumption Camera unit; Temperature <0°C (heater on): 5,6W, Temperature >0°C (heater off): 3,6 W.


Pan & Tilt


Pan angle Total 340°, 170° left, 170° right.
Tilt angle Total 180°, 90° up, 90° down.
Backlash PTZ 1°.
Fixed camera pos 8 preset camera positions, preset tolerance: <1°
Controls The PTZ camera can be controlled by means of the LCD 7" DDIN Serial Monitor, article no. 0208230 or 10" serial display art. no. 0206530.
Pan & Tilt speed 12,5°/sec.
Power consumption Pan & Tilt; 24V, 12W.

General

Housing stainless steel 316.
Weight 15 kg, including 5,5 metre cable.
Protection IP 69K according IEC 60529, 1,4 Bar overpressure filled with dry nitrogen, monitored by 2 absolute sensors, long term stability 0,1%/year.
Operating temp Ex px mb II T5, Ta = -40°C to +60°C, Ex px mb II T6, Ta = -40°C to +75°C
 Ex tD mbD A21 IP68, T85°C, Ta = -40°C to +60°C, Ex tD mbD A21 IP68, T100°C, Ta = -40°C to +75°C
Power input 24V +/-10%.

For detailed installation instructions and electric specifications, see Installation manual IM0506900

 Only use the PTZ in combination with the Ex-board box Art no 0404910.

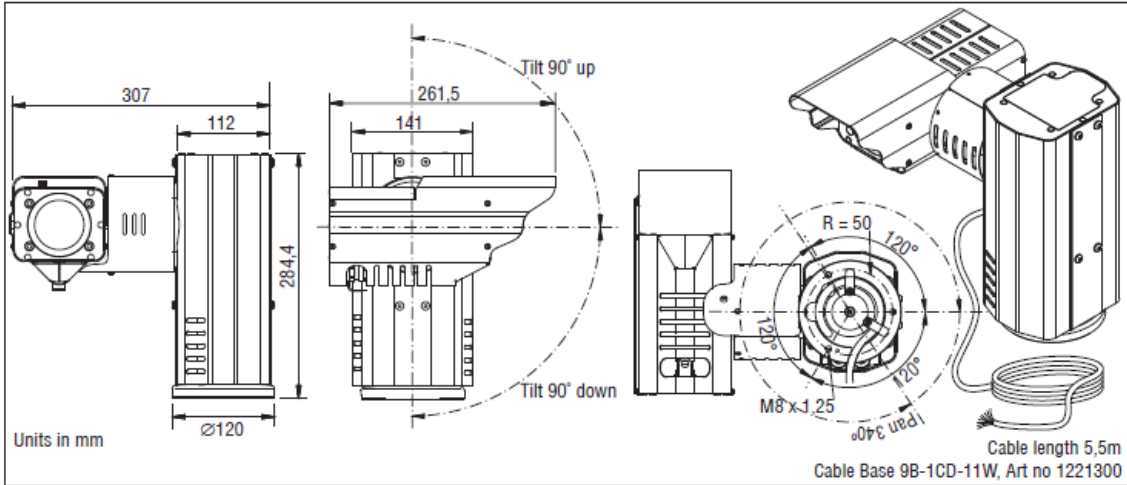

Ex Specifications
 Ex px mb II T5, Ta=-40°C to +75°C
 Ex px mb II T6, Ta=-40°C to +60°C
 Ex tD mbD A21 IP68 T5 Ta=-40°C to +75°C
 Ex tD mbD A21 IP68 T6 Ta=-40°C to +60°C

Dimensions

Fuse: The PTZ must be protected with a 500 mA-T fuse, with 1500A breaking capacity.

Dimensions

Fuse: The PTZ must be protected with a 500 mA-T fuse, with 1500A breaking capacity.



All data subject to change without notice. All dimensions are for commercial purpose only.
The camera/display systems comply with the latest CE, ADR, EMC and mirror-directive regulations.
All products are manufactured in accordance with the ISO 9001-2000 quality management system, ISO 14001 environmental management systems and all Ex products with the IECEx scheme and ATEX directives.

